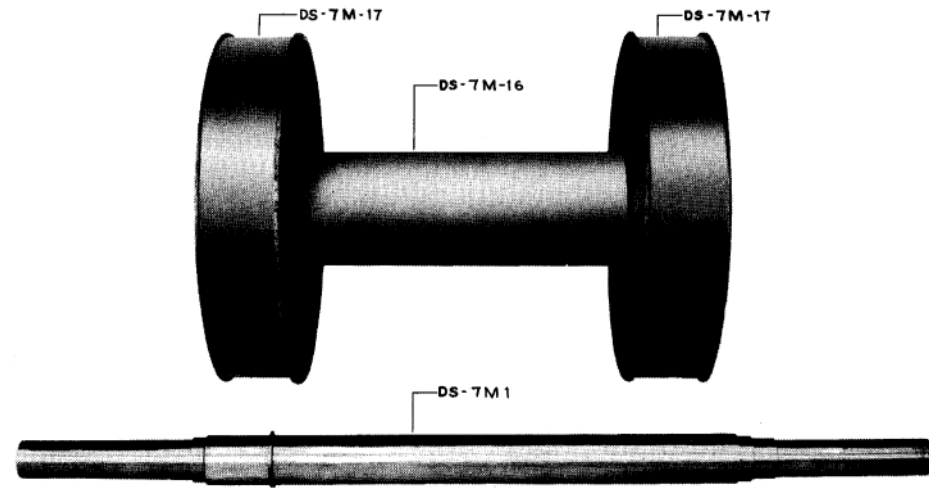
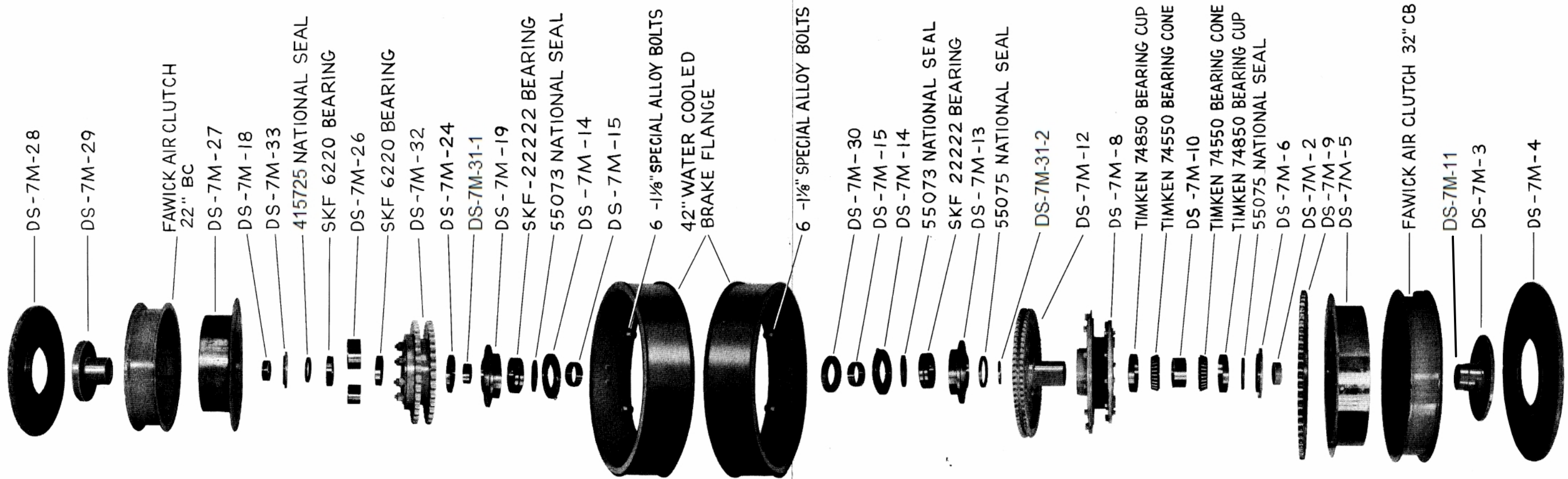


PARTS LIST
DRUM SHAFT PARTS
SPENCER PORTA-RIO MODEL 7000



| Part No. | Description | No. Req'd. | Part No. | Description | No. Req'd. |
|----------|----------------------------------|------------|------------|--------------------------------|------------|
| DS-7M-1 | Drum Shaft | 1 | DS-7M-26 | Spacer | 1 |
| DS-7M-2 | Air Rotor Seal Adapter Plate | 1 | DS-7M-27 | 22" Clutch Drive Rim | 1 |
| DS-7M-3 | Hub-Clutch Flange | 1 | DS-7M-28 | Clutch Flange 22" | 1 |
| DS-7M-4 | Clutch Flange 32" | 1 | DS-7M-29 | Hub Clutch Flange | 1 |
| DS-7M-5 | 32" Clutch Drive Rim | 1 | DS-7M-30 | Lock Plate | 1 |
| DS-7M-6 | Bearing End Plate | 1 | DS-7M-31-1 | Spacer | 1 |
| DS-7M-8 | Sprocket and Drive Rim Hub | 1 | DS-7M-31-2 | Spacer | 1 |
| DS-7M-9 | Low Drum Sprocket 2-P-58T-Single | 1 | DS-7M-32 | Rotary and High Drive Assembly | 1 |
| DS-7M-10 | Bearing Spacer | 1 | DS-7M-33 | Bearing End Plate | 1 |
| DS-7M-11 | | 1 | | Fawick 32" Air Clutch CB | 1 |
| DS-7M-12 | Hydromatic Brake Sprocket | 1 | | 55075 National Oil Seal | 2 |
| DS-7M-13 | Bearing Housing | 1 | | 74850 Timken Bearing Cup | 2 |
| DS-7M-14 | Bearing End Plate | 2 | | 74550 Timken Bearing Cone | 2 |
| DS-7M-15 | Spacer | 2 | | 55073 National Oil Seal | 2 |
| DS-7M-16 | Drum Assembly | 1 | | SKF 22222 Bearing | 2 |
| DS-7M-17 | Brake Flanges | 2 | | SKF 6220 Bearing | 2 |
| DS-7M-18 | Spacer | 1 | | 415725 National Oil Seal | 1 |
| DS-7M-19 | Bearing Housing | 1 | | Fawick 22" Air Clutch CB | 1 |
| DS-7M-24 | Bearing End Plate | 1 | | | |



FOR REFERENCE ONLY
 For **SPENCER-HARRIS** Parts
 Call **1-870-234-3264**
 Magnolia, Arkansas